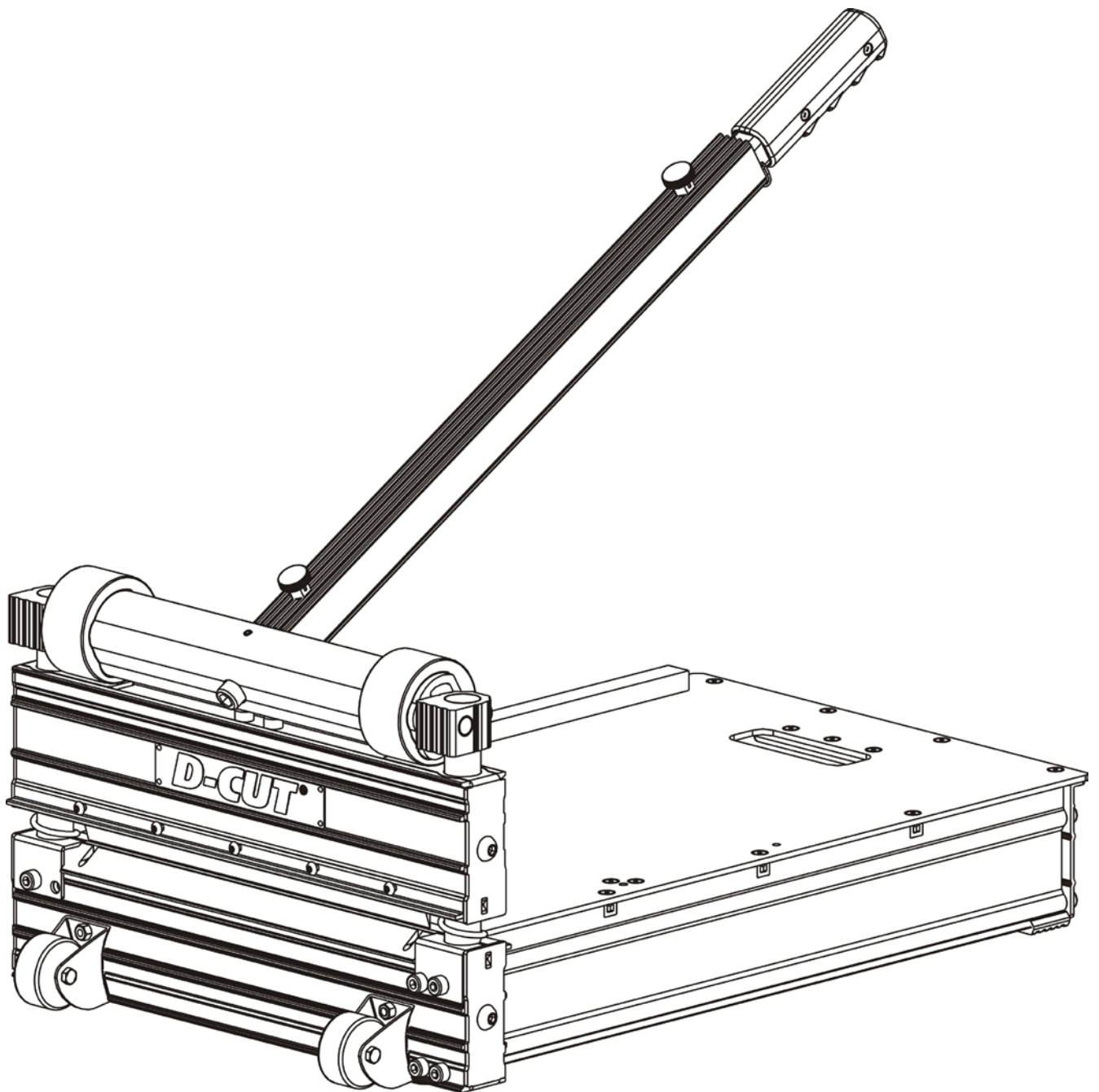


D-CUT[®]

OPERATION MANUAL

D-Cut Multi-Flooring Cutter MR-330



www.dcutproducts.com



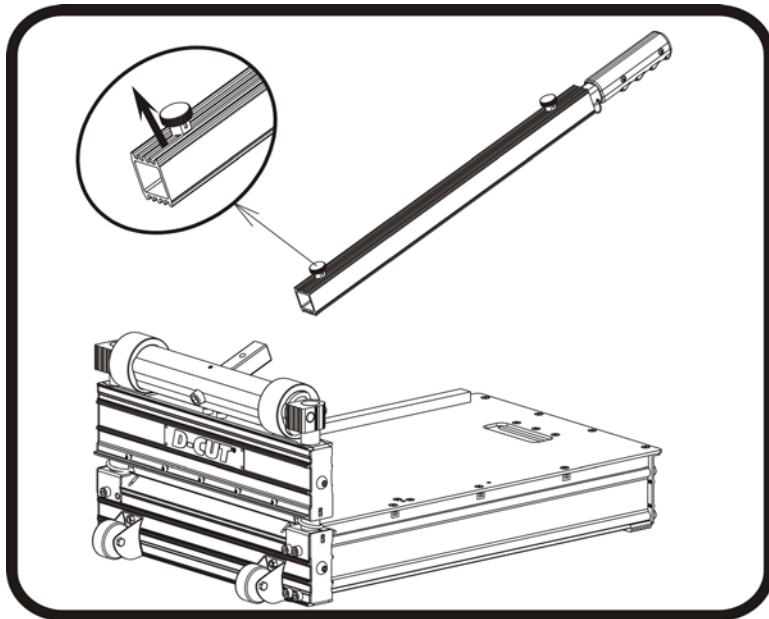
WARNING: FAILURE TO FOLLOW THESE RULES MAY RESULT IN SERIOUS INJURY! USING THIS MACHINE WITH RESPECT AND CAUTION WILL CONSIDERABLY LESSEN THE POSSIBILITY OF PERSONAL INJURY.

SAFETY RULES FOR THE FLOORING CUTTER

- 1. READ AND UNDERSTAND THIS INSTRUCTION MANUAL BEFORE OPERATING THE D-CUT MULTI-FLOORING CUTTERS.**
2. If you are not thoroughly familiar with the operation of D-Cut Multi-flooring Cutter, obtain advice from a qualified instructor or call 800-982-3434 USA
3. Stay alert. Do not operate while under the influence of drugs, alcohol, or medication.
4. Always wear safety approved eye protection with side shields(ANSI Z87.1)
5. Keep work area free of debris.
6. Keep children and unauthorized persons away from the D-Cut Multi-flooring Cutter and work area.
7. Make sure tool is secure. Operate only on a firm substrate or solid stand.
8. Use the right tool. Do not force the D-Cut Multi-flooring Cutter or use it for a job for which it was not designed; use only on approved materials.
9. Keep the tungsten steel blade sharp. A cracked blade will not perform properly.
Note: Our blade does not need re-sharpening.
10. Always keep hands away from blade while operating or carrying the cutter.
11. Do not alter or misuse this tool. The D-Cut Multi-flooring Cutter is precision built; modifications not specified in this manual may result in a dangerous and unsafe environment.
12. Maintain the D-Cut Multi-flooring Cutter with care. Keep Blade sharp and clean. Follow instructions for changing accessories.
13. Use only recommended accessories. The use of improper accessories may be hazardous and cause injuries.
14. Never leave the D-Cut Multi-flooring Cutter unattended. Secure the handle with the lock chain when not in use.



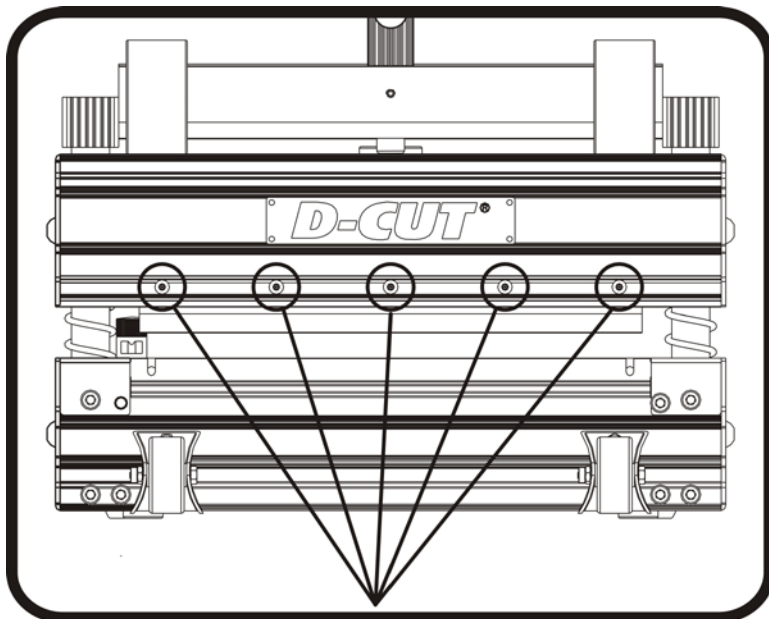
SET UP



Installation of the Cutter

Pull up the lock pin on the aluminum handle as shown and insert the handle into the handle base as shown.

Warning: Do not put your fingers against the sharp edge of the blade at any time.

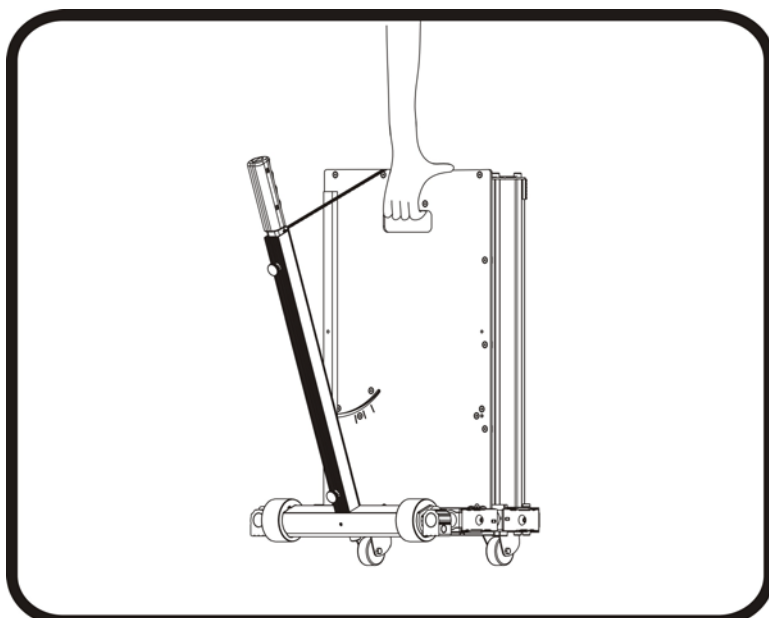


Changing the Blade

Use the provided Allen wrench to remove the nine screws, then hold the blade by each end and carefully move the blade out of blade holder.

Note: the flat side of the blade facing the table.

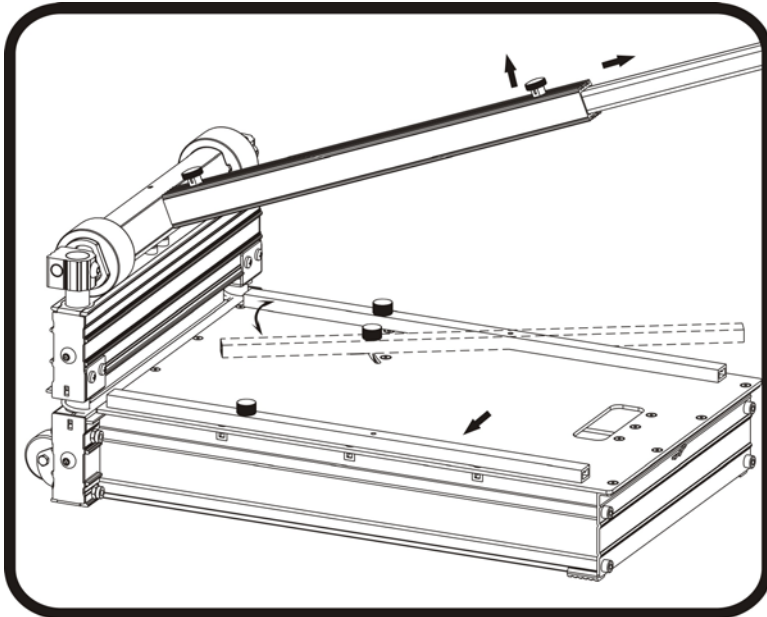
Warning: Do not put your fingers against the sharp edge of the blade at any time.



Transport

Hook the chain to the ring on the handle and carry the cutter as shown.

CUTTING

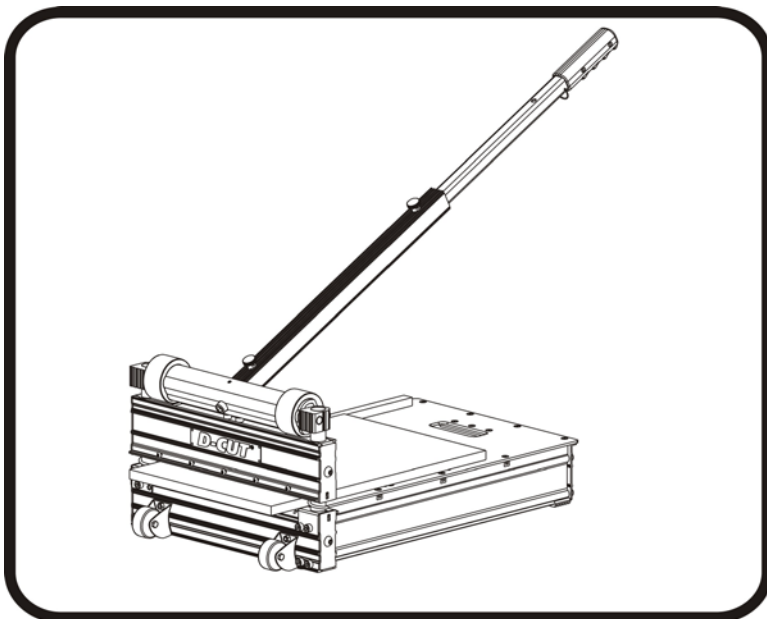


Cutting Preparation

Adjust the angle attachment as needed and pull the extension handle out as shown.

The angle attachment can be used on left side of the table as shown.

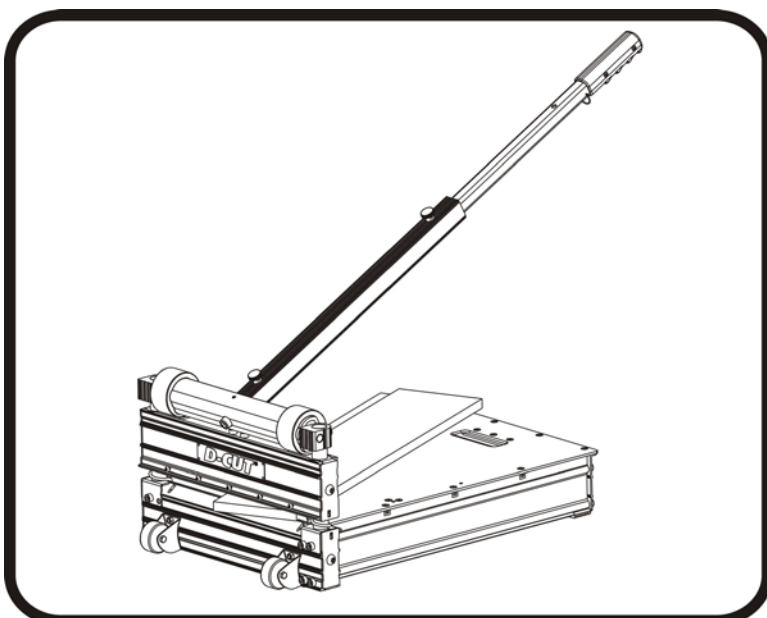
Warning: Do not put your fingers against the sharp edge of the blade at any time.



Straight Cutting

Insert material between the cutting blade and the base, flush with the angle attachment as shown and hold the material with foot then push handle down to complete a cut.

Warning: Maintain control of the handle. Do not allow handle to slam back after making a cut.

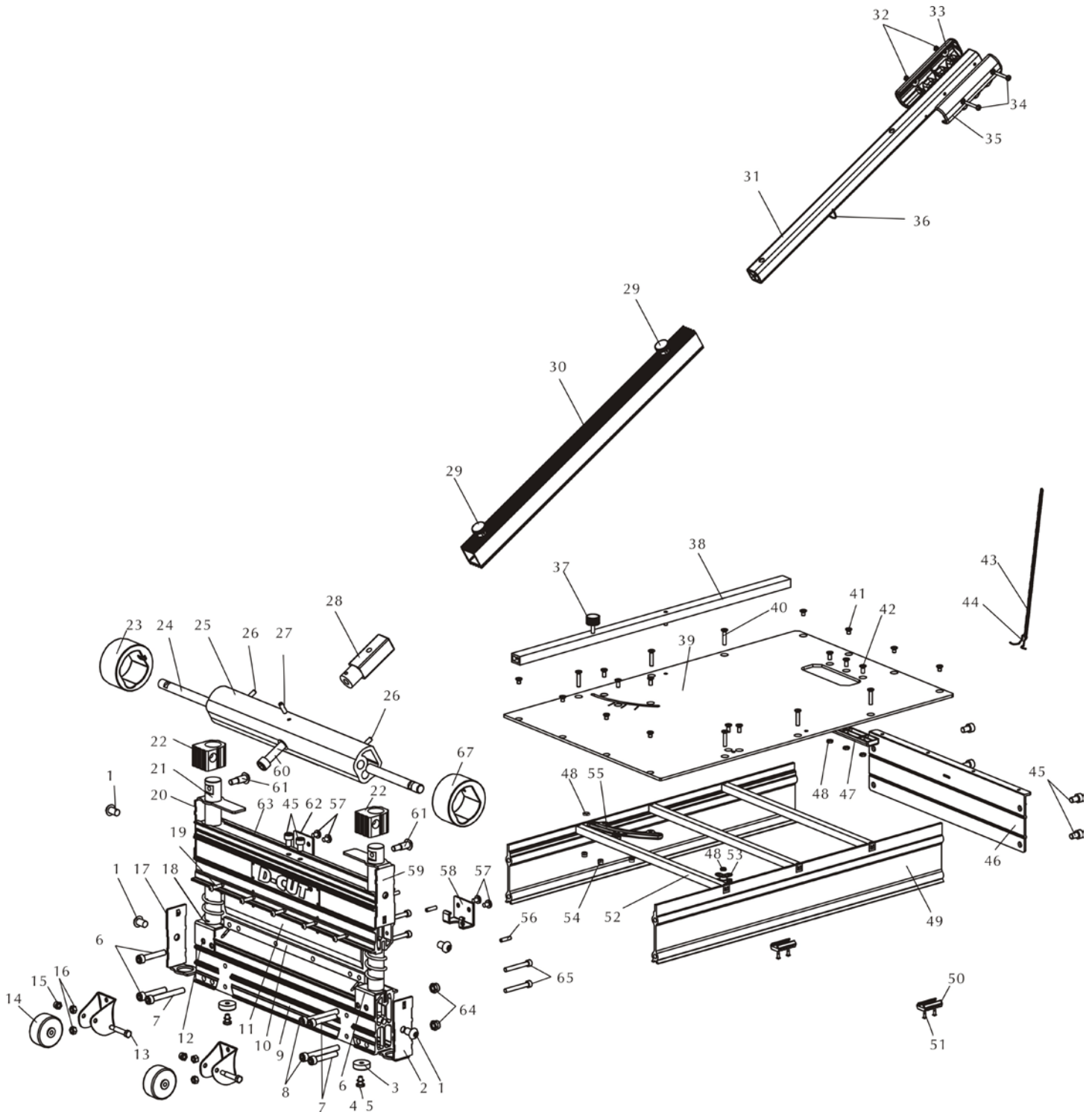


45° Cutting

Adjust the angle attachment to 45°. Insert material between the cutting blade and the base, against the angle attachment as shown, then push the handle down to complete a cut.

Warning: Maintain control of the handle. Do not allow handle to slam back after making a cut.

PART LIST





PART LIST

	Parts	Q'ty		Parts	Q'ty
1	Hex Head Screw M10 × 6	4	34	Cross Head Screw M4 × 31	2
2	Left Aluminum End Board A	1	35	Left ABS Handle	1
3	Rubber Feet-2	2	36	Hook A	1
4	Cross Head Screw M6 × 12	2	37	Knurled Pin M5	1
5	Plain Washer Φ 6	2	38	Cutting Guide	1
6	Button Spring Supporting A	1	39	Working Table	1
7	Hex Head Screw M8 × 45	4	40	Hex Head Screw M5 × 25	6
8	Hex Head Screw M8 × 65	6	41	Hex Head Screw M5 × 8	8
9	Blade Cutting Base	1	42	Hex Head Screw M5 × 12	3
10	Nylon Bar	1	43	Chain	1
11	Blade	1	44	Hook B	1
12	Button Spring Supporting B	1	45	Hex Head Screw M8 × 12	6
13	Hex Screw M6 × 40	2	46	Working Table Frame A	1
14	Ground Wheel	2	47	Carrying Handle	1
15	Nylon Lock Nut M6	2	48	Thin Nut M5	5
16	Nut M6	4	49	Working Table Frame B	2
17	Right Aluminum End Board A	1	50	Rubber Feet	2
18	Spring	2	51	Rivet	4
19	Hex Screw M5 × 20	5	52	Cross Bar	3
20	Right Aluminum End Board B	1	53	Nut Base	1
21	Guide Rod	2	54	Nylon Lock Nut M5	5
22	Nylon Wheel Bracket	2	55	Nut Curve Locating Slot	1
23	Nylon Wheel	2	56	Hex Headless Screw M5 × 20	4
24	Rotating Shaft	2	57	Cross Head Screw M6 × 8	4
25	Aluminum Eccentric Cam	1	58	Top Spring Supporting A	1
26	Spring Pin Φ6 × 28	2	59	Left Aluminum End Board B	1
27	Hex Headless Screw M6 × 20	1	60	Hex Head Screw M12 × 40	1
28	Handle Base	1	61	Cross Screw	2
29	Pull Pin	2	62	Top Spring Supporting B	1
30	Handle-1	1	63	Blade Holder	1
31	Handle-2	1	64	Nylon Lock Nut M8	4
32	Nut M4	2	65	Hex Head Screw M6 × 45	4
33	Right ABS Handle	1			