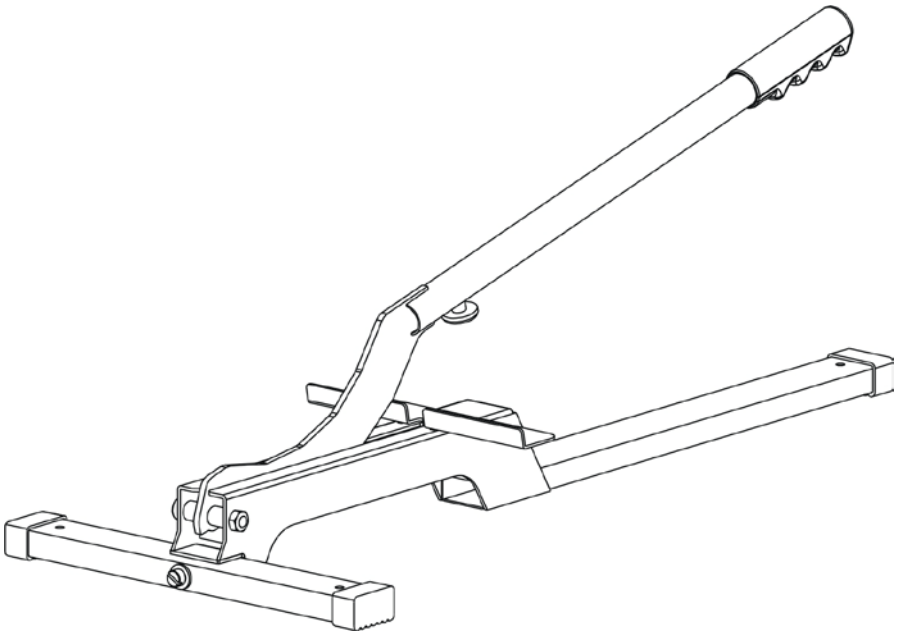
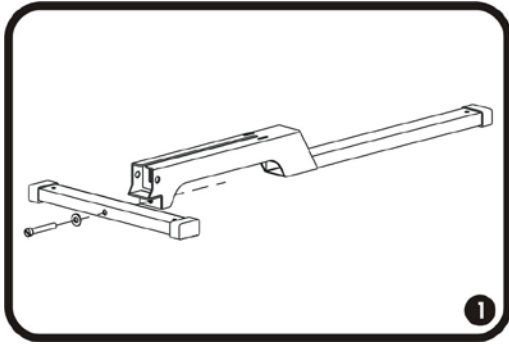


D-CUT[®]

Operation Manual

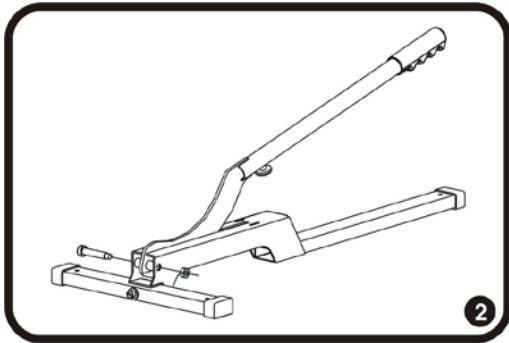
Laminate Cutter EC-080





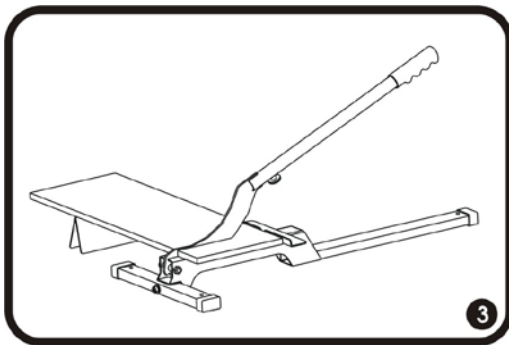
Installation 1

Install the cross bar as shown in fig.1.



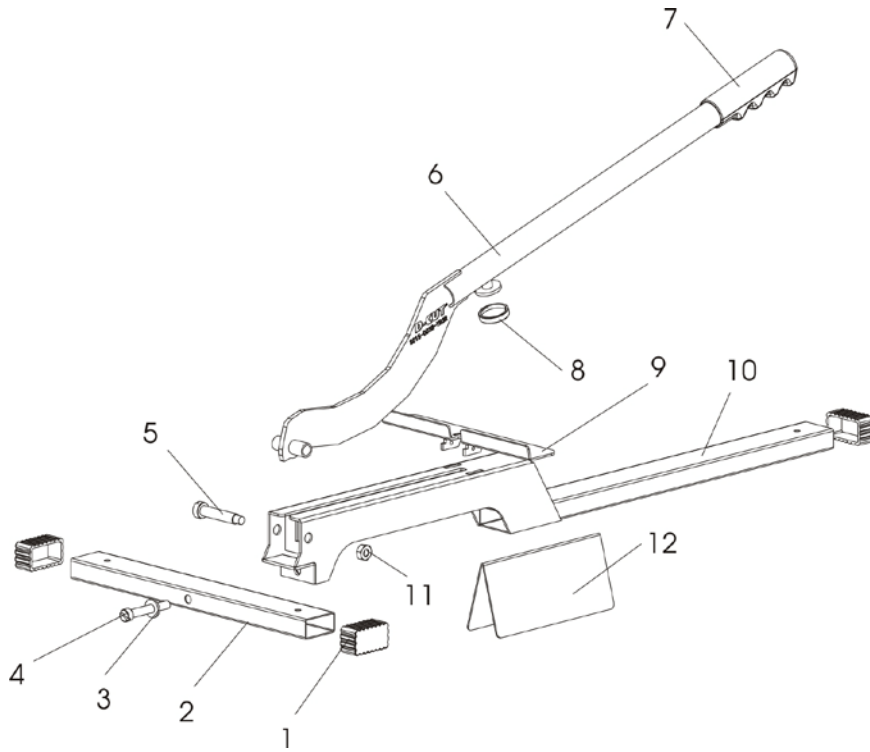
Installation 2

Install the blade as shown in fig.2.



Cutting

Cut the laminate flooring as shown in fig.3.



Part List

	Parts	Q'ty
1	End Cap	3
2	Cross Bar	1
3	Washer $\Phi 8$	1
4	Hex Head Screw M8 \times 52	1
5	Customized Bolt	1
6	Blade and Handle	1
7	Rubber Handle	1
8	Rubber Pad	1
9	Stopper Attachment	1
10	Cutter Base	1
11	Nut M8	1
12	Supporting Stand	1

